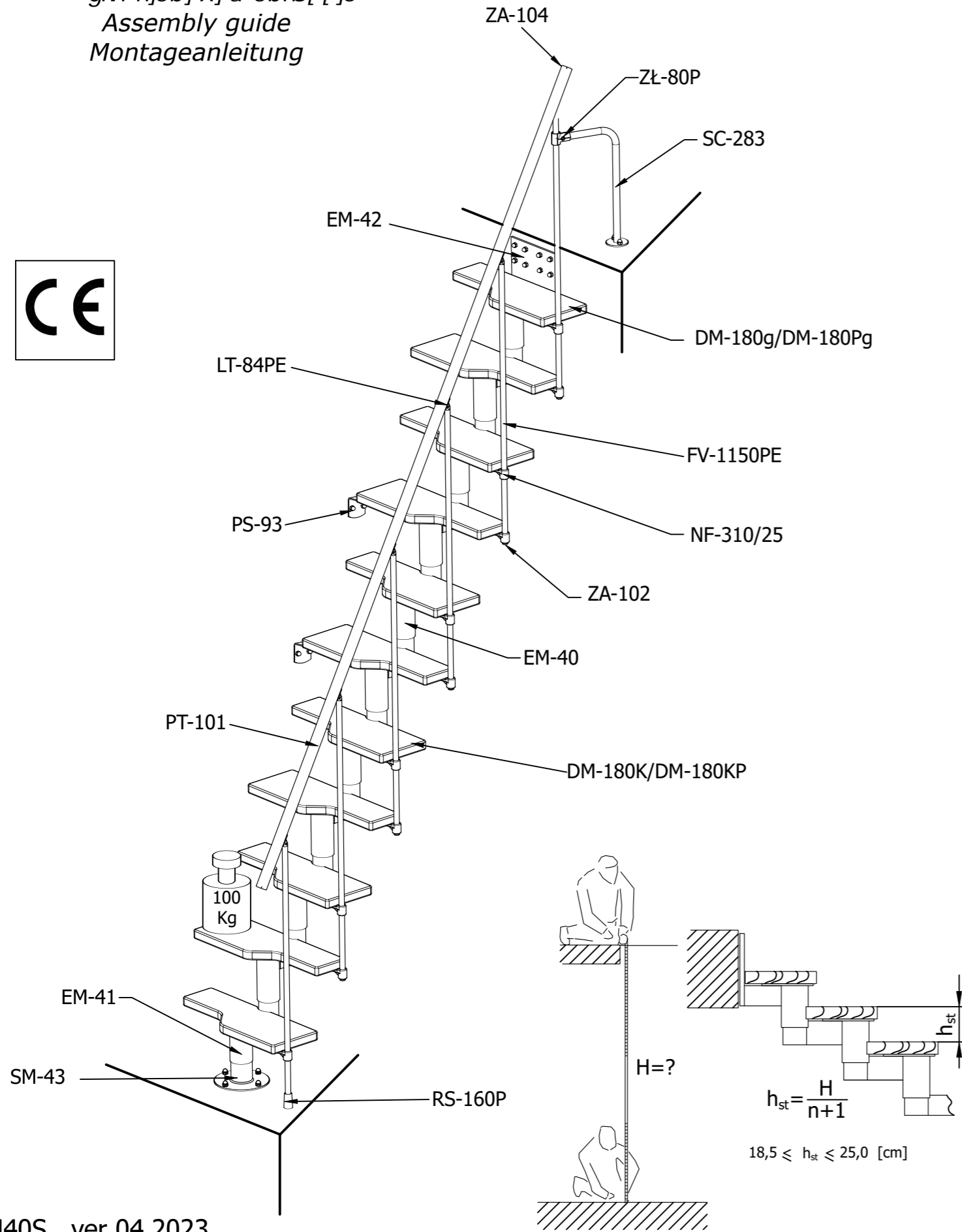
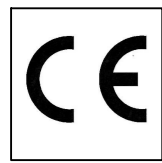


Assembly guide
Montageanleitung

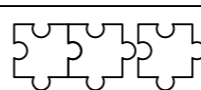


k k k "gWY_]h"]h
]bZc4 gWY_]h"]h
H" "\$&, +%*, * \$*"

8]ghbU'dYm] / Detail list / Stückliste



| | | | | | | | | | | | | | |
|----------------|------------------|----------------|------------------|--|--------|---|--------|---|---------|----|--------|---|----------|
| a | EM-42 | b | EM-40 | c | EM-41 | d | SM-43 | e | RS-160P | | | | |
| f | DM-180g/DM-180Pg | g | DM-180K/DM-180KP | h | 6x35 | i | PS-93 | j | LT-84PE | | | | |
| opcja / option | | opcja / option | | | | | | | | | | | |
| j1 | M5x20 | j2 | M5 | k | PT-101 | l | 3,9x19 | m | ZA-104 | n | ZA-102 | o | S3+S4+S6 |
| p | NF-310/25 | p1 | M6x12 | p2 | M6 | r | ZŁ-80P | r1 | M8x22 | r2 | M8 | s | M8x10 |
| t | FV-1150PE | u | SC-283 | F [W]Yg:c dYf] "a cbHU[[]c! | | | | DfYMi n]cb] / Precautions / Vorsichtsmaßnahmen | | | | | |
| 1150 | | | | <p>ALSO NEEDED!</p> <p>AUCH BENÖTIGTE!</p> | | | | | | | | | |



5.1

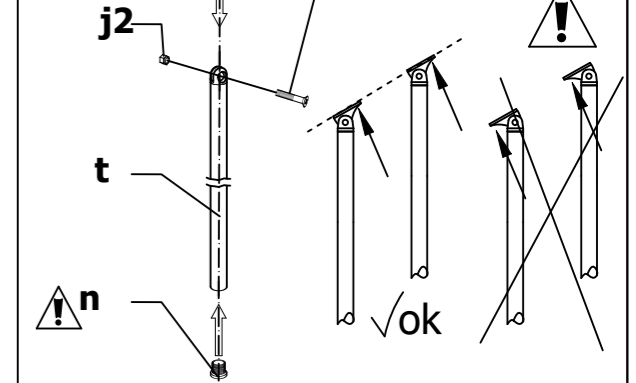
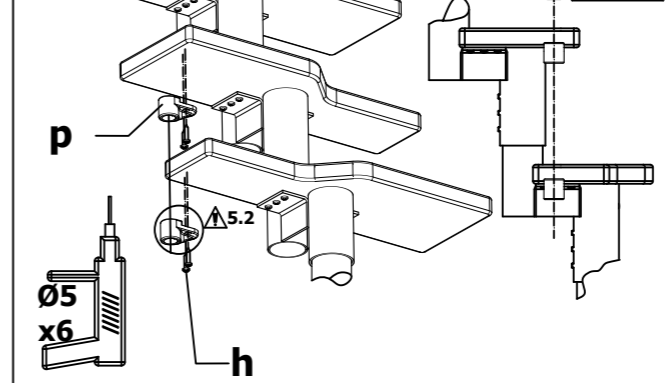
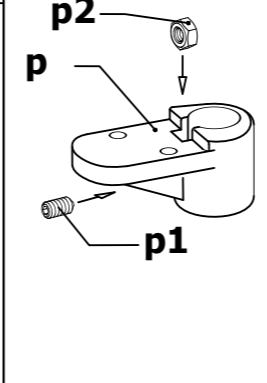
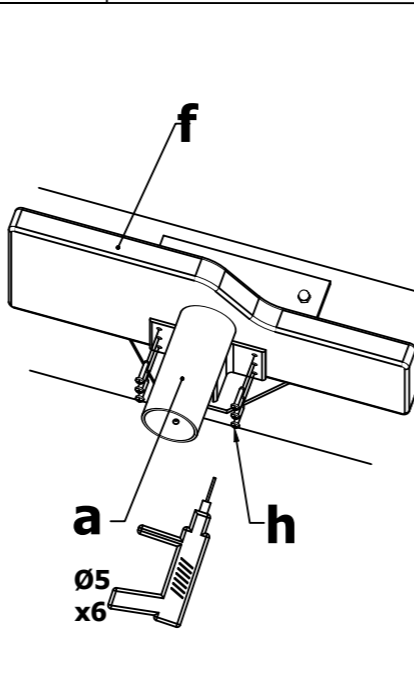
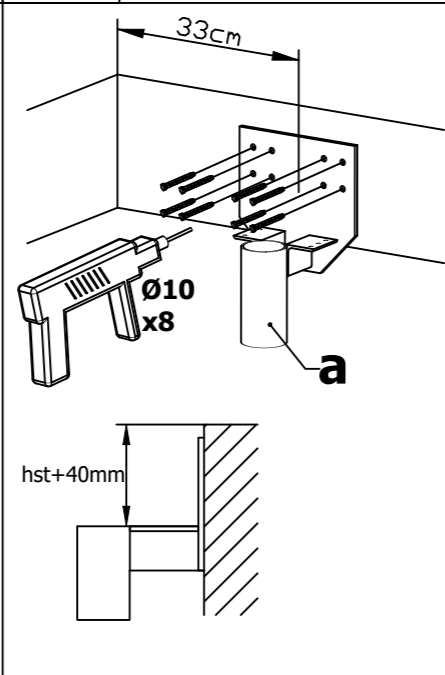
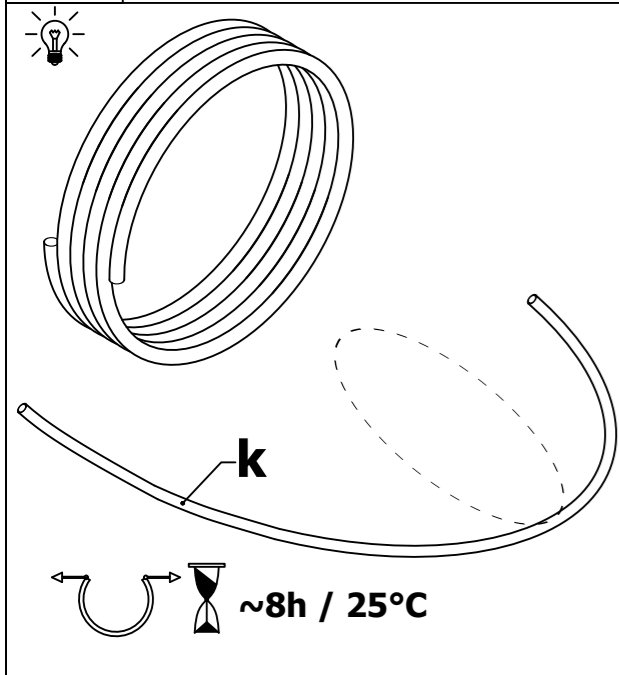
5.2

5.3

1.1

2.1

2.2

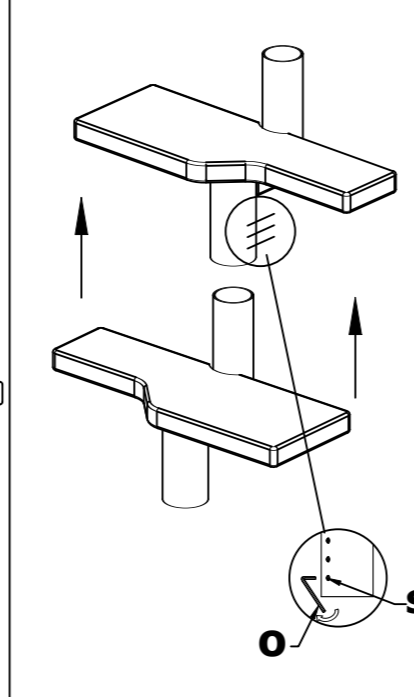
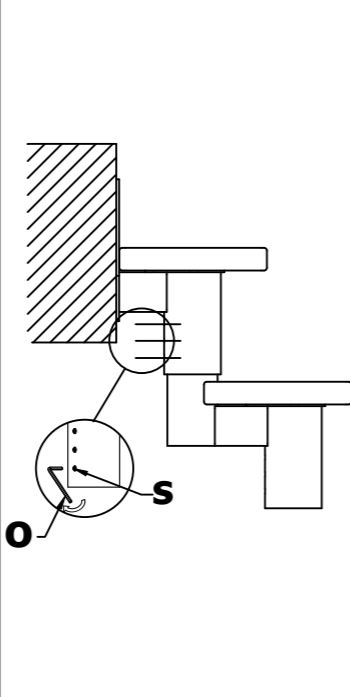
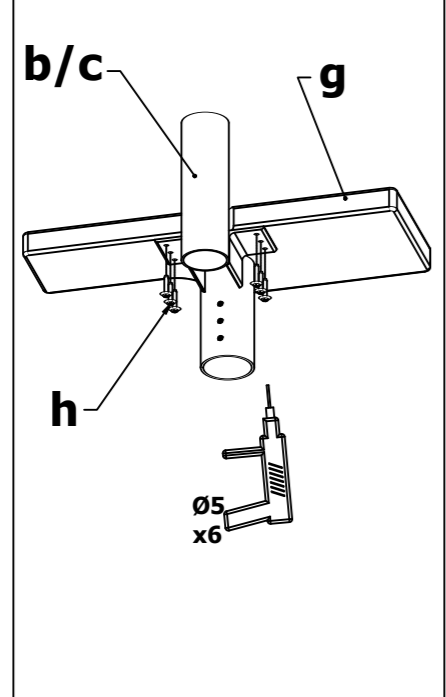
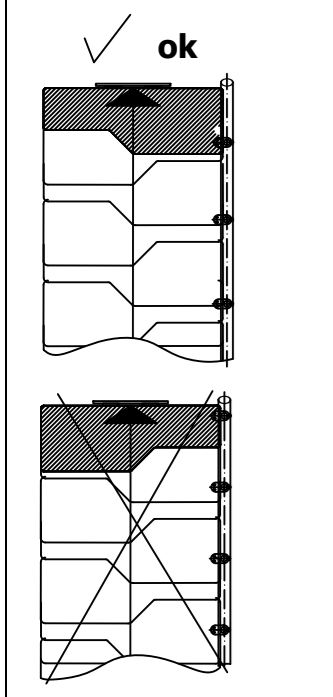


2.3

3.1

3.2

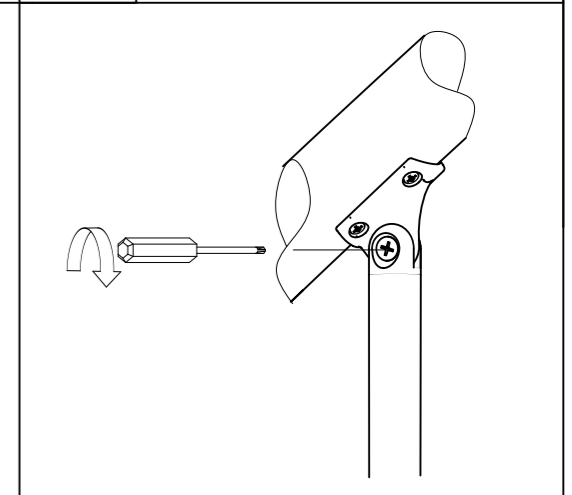
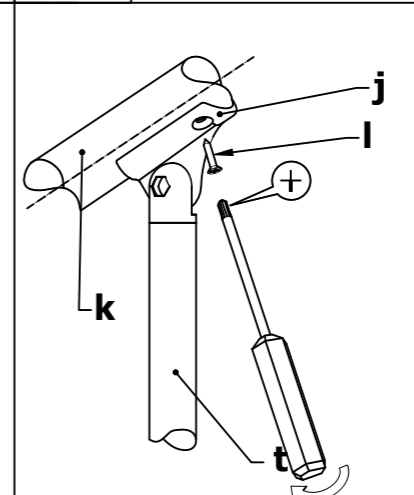
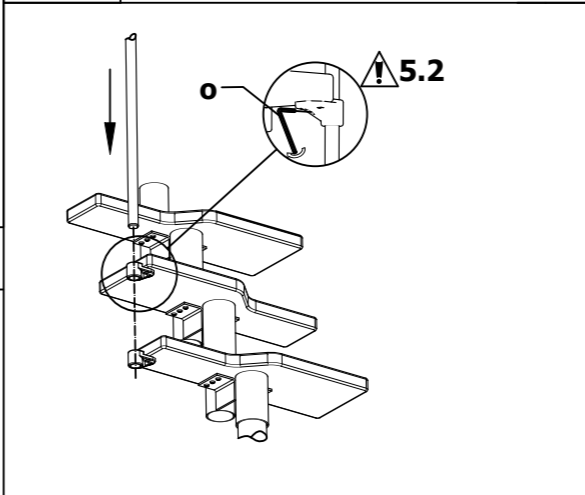
3.3



5.4

6.1

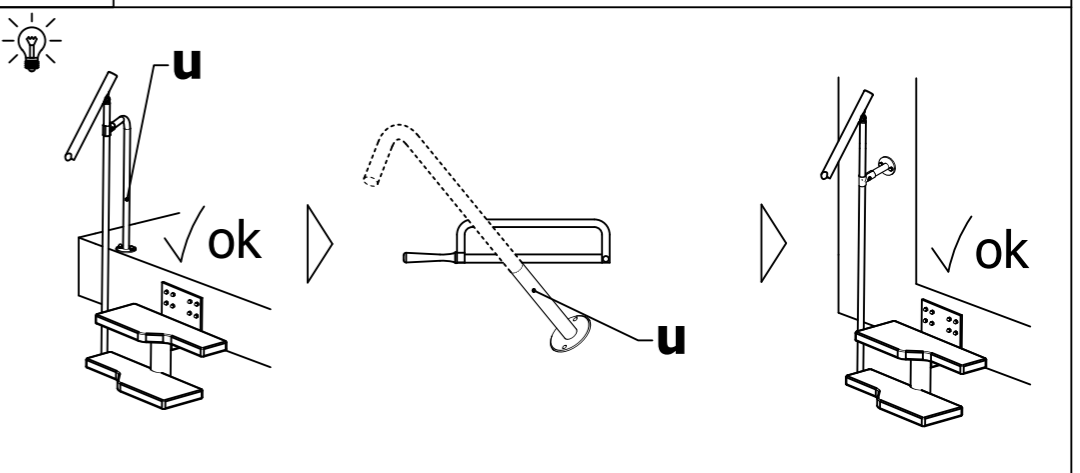
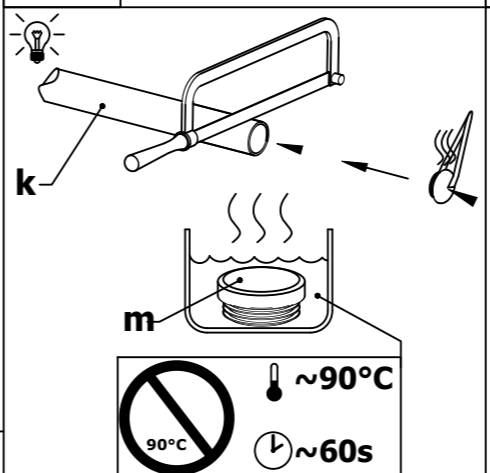
6.2



6.3

7.1

CDN-CB=8=-BGH5@5N-CB9! CDH-CBG

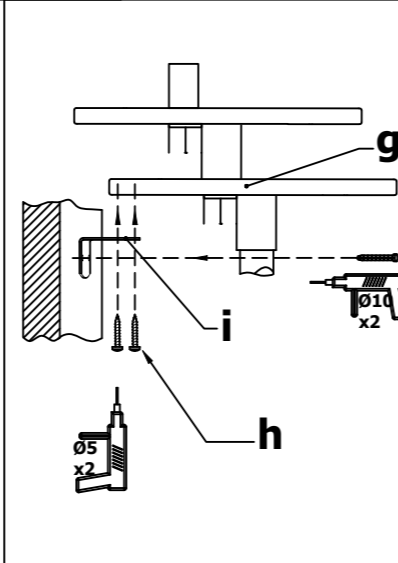
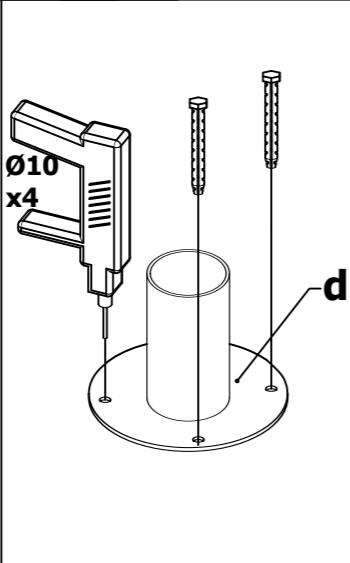
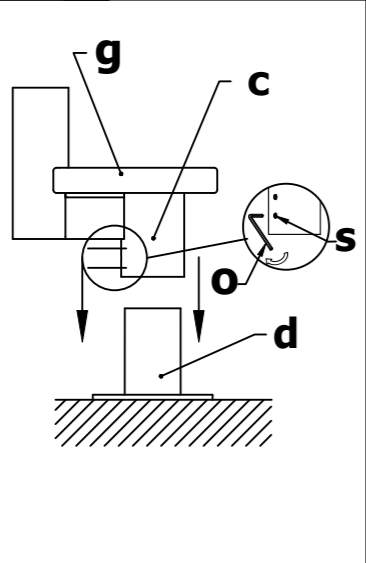
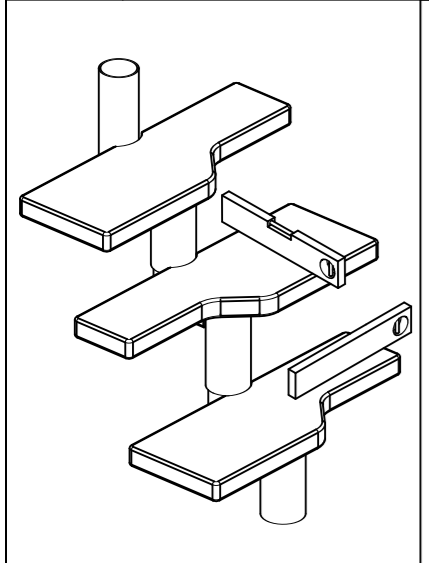


3.4

3.5

3.6

4.1



7.2

7.3

CDN-CB=8=-BGH5@5N-CB9! CDH-CBG

