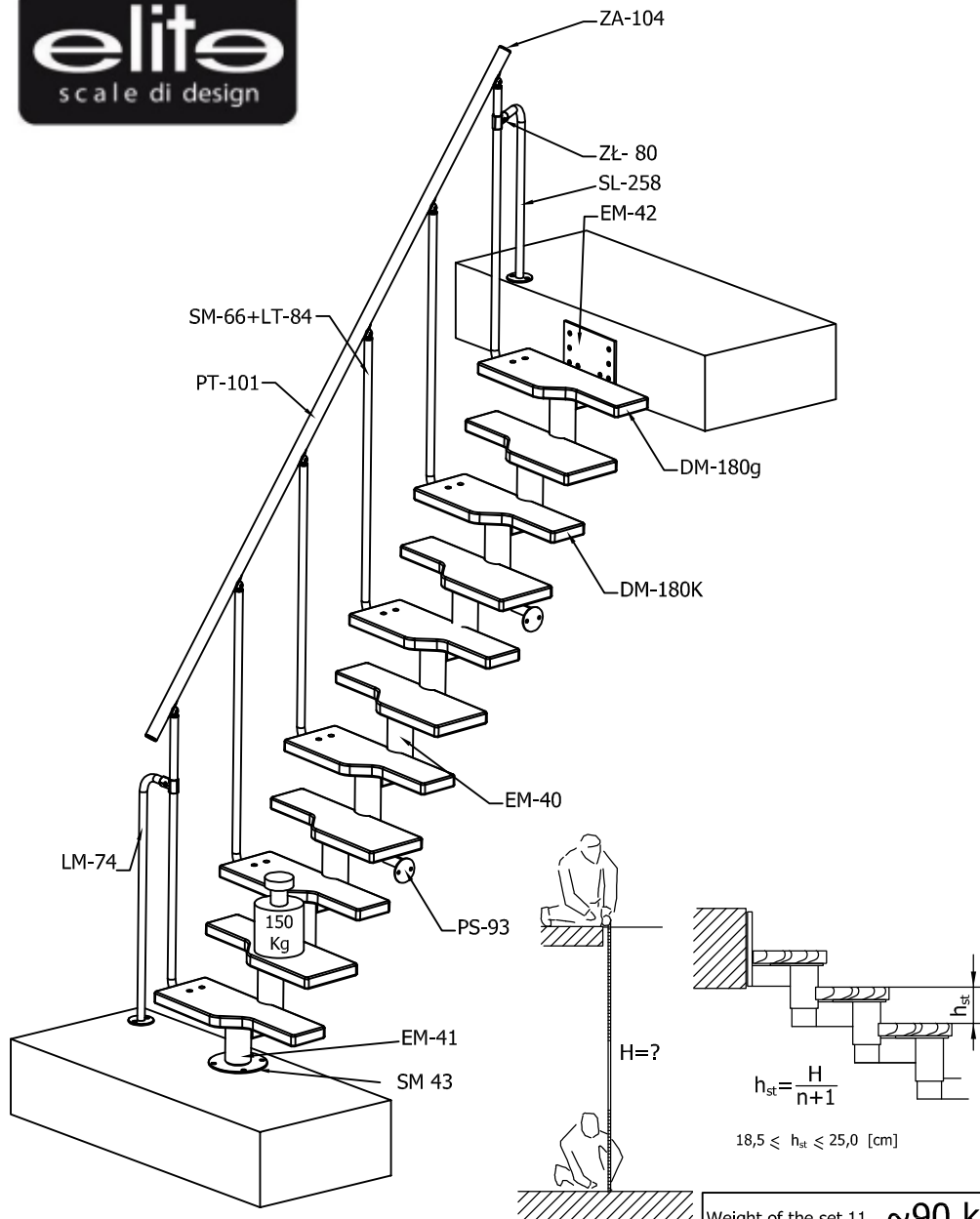


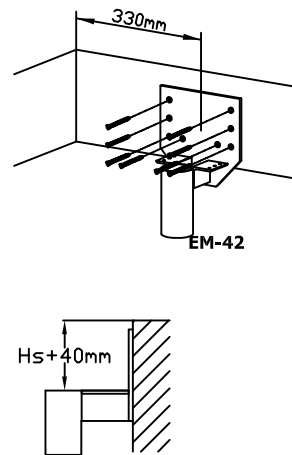
MINI SCALA LUX



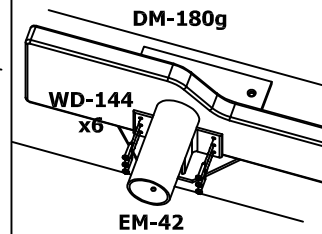
Weight of the set 11 ~90 kg

Weight of the set 13 ~104 kg

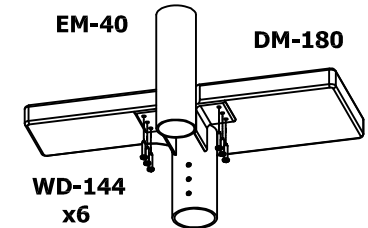
1.1



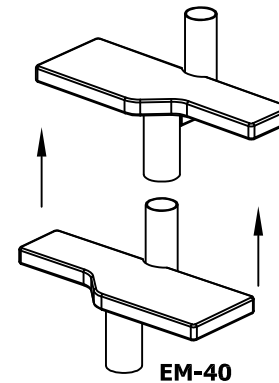
1.2



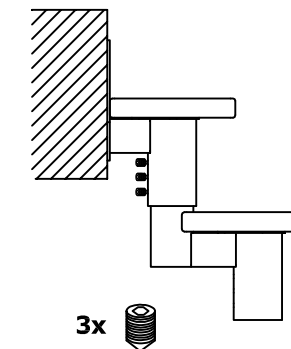
2.1



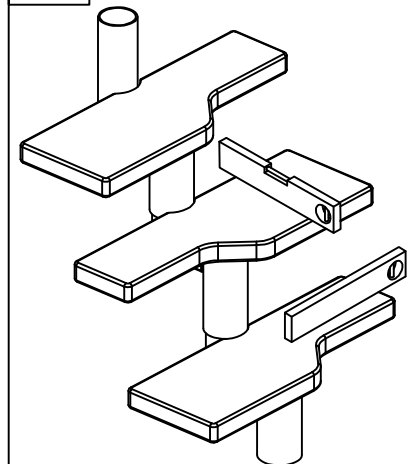
2.2



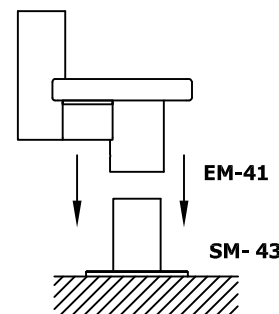
2.3



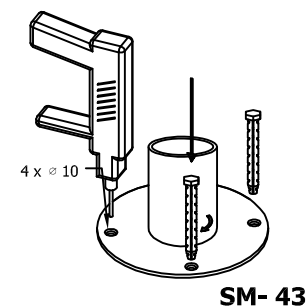
2.4



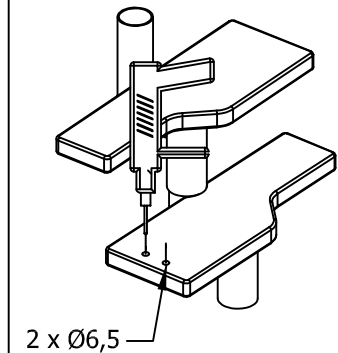
2.5

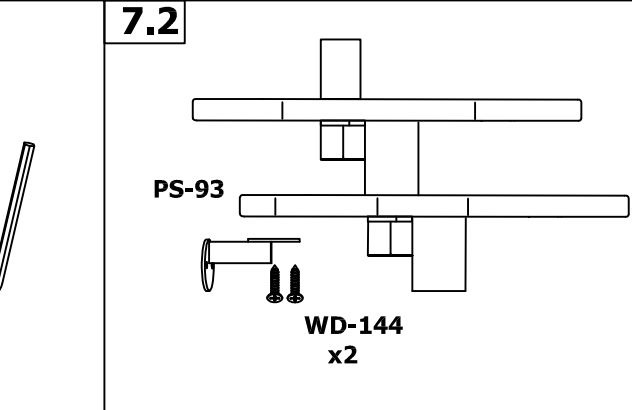
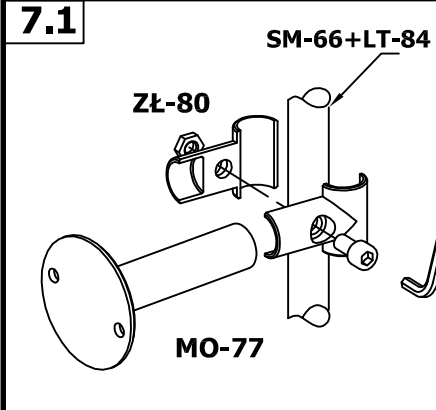
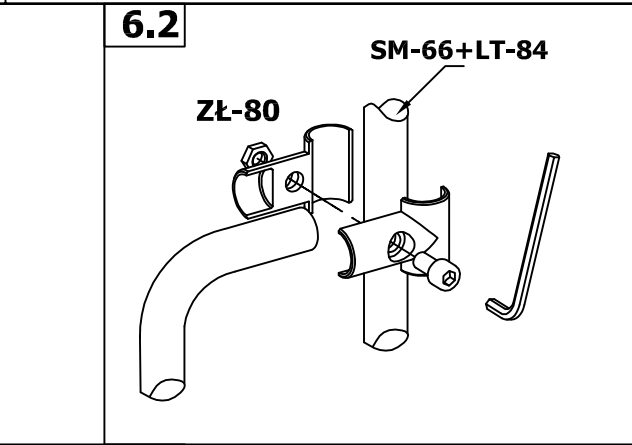
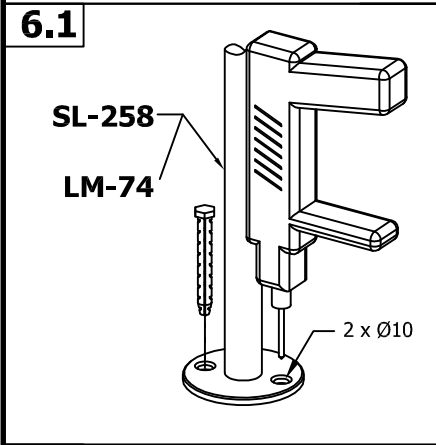
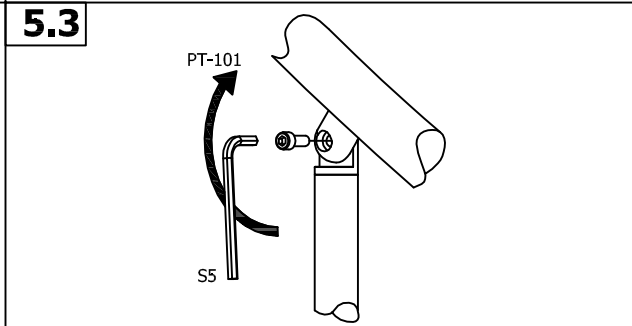
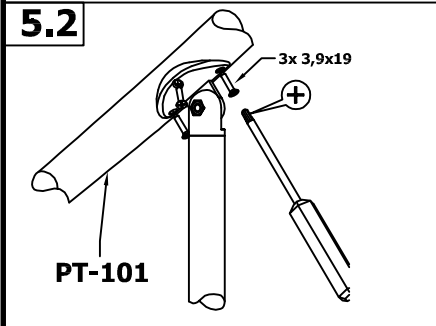
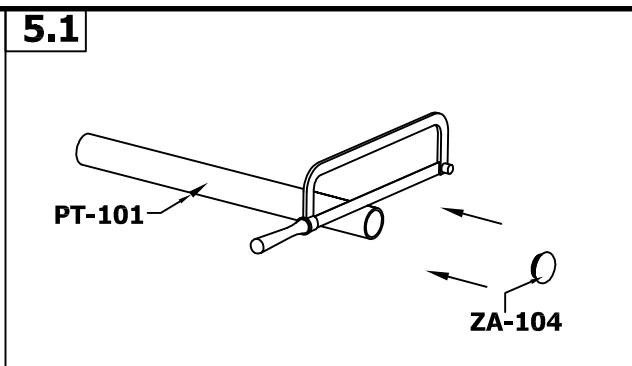
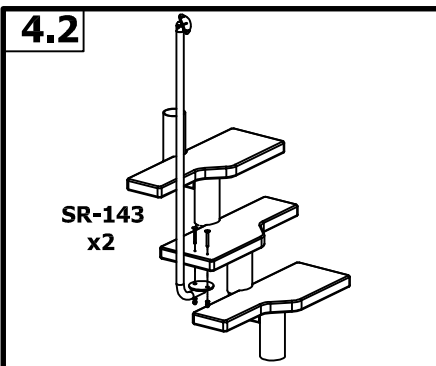


2.6



4.1





Parts list:

set	EM-42
11	x1
13	x1

set	EM-40
11	x9
13	x11

set	EM-41
11	x1
13	x1

set	ZŁ-80
11	x3
13	x3

set	DM-180g
11	x1
13	x1

set	DM-180K
11	x10
13	x12

set	SM-43
11	x1
13	x1

set	LT-84
11	x6
13	x7

set	M8x10
11	x32
13	x38

set	M6x16
11	x6
13	x7

set	3,9x19
11	x19
13	x22

set	WD-144
11	x71
13	x83

set	SR-143
11	x12
13	x14

set	S4+S5+S6
11	x1
13	x1

set	MO-77
11	x1
13	x1

set	PS-93
11	x2
13	x2

set	ZA-104
11	x2
13	x2

set	PT-101
11	x4
13	x4

set	LM-74
11	x1
13	x1

set	SL-258
11	x1
13	x1

set	SM-66
11	x6
13	x7

Dimensions:

- 850
- 600
- ~920
- Ø40

ALSO NEEDED TO MONTAGE!